

VERSATI
Mobile Bar on Wheels Series



Project Name	
Project ID	
Item #	
Specifier	
Model #	
Options	
Quantity	

Features and Benefits

- One bar, multiple looks
- Available with a wide selection of acrylic, wood, metal and other panels
- Switch panels and change your bar style in a few minutes
- 100% stainless steel frame, shelves and accessories for lifetime durability
- Working surfaces (top and bottom shelves) made of food grade #304 stainless steel
- Comes with integrated double-layered ice bin keeping the ice free of water
- Available with half speed rail or full speed rail
- High quality wheels for smooth rolling and extra-long durability
- Only high-end materials used
- Engineered for work efficiency and comfort with optimized dimensions and configuration
- Optional remote controlled multicolor high intensity LED lighting kit with sound controller
- LED Kit offers a selection of lighting colors and transitions, including sync-to-music modes
- Can UL Us certified LED and Power Supply
- Green prodcut made of recyclable stainless steel and high efficiency, low consumption lighting
- Durable, Reparable, Reusable and Recyclable

Models

VERSATI	Base Model With Integrated Waterfree Ice Bin
VERSATI-LUMI	VERSATI + Semi-Translucid White Acrylic panels, LUMI Lighting Kit & Two (2) Small Speed Rails



VERSATI Base Model



VERSATI LUMI

Optional Accessories

Code	Description
v-s-speed-rail	Small - Half Width - Speed Rail for VERSATI mobile bar. Can install left, right, or two per bar
v-l-speed-rail	Full Width Speed Rail for VERSATI mobile bar
versati-cover	Heavy duty black vinyl protection cover for VERSATI mobile bar
lumi-led-kit	Lighting kit for VERSATI LUMI, includes LED bars, backdrop, remote and sound controller
v-top-prot	Transparent top protector for VERSATI, made of scratch resistant acrylic



Two Small - Half Width - Speed Rails



Large - Full Width - Speed Rail



Vinyl Protection Cover

Join Multiple Bars Together

Put multiple bars together in line to form a long continuous bar or to create corners. The flush sides make them easy to join seamlessly.

Panels Selection

Bar top, front and side panels can be removed and replaced easily, in a few minutes, without any tools. VERSATI bars can be ordered with a complete kit of the same material, or with separate top, front and side panels in different materials.

Panels - Stainless Steel

Code	Description
v-ss-kit	#304 Brushed Stainless Steel, Complete Kit (1 top, 1 front, 2 sides)
v-ss-top	#304 Brushed Stainless Steel, Top Panel only
v-ss-front	#304 Brushed Stainless Steel, Front Panel only
v-ss-sides	#304 Brushed Stainless Steel, Side Panels only (2 side panels)



Panels - Acrylic

Code	Description
v-w-acryl-kit	Semi-Translucid White Acrylic, Complete Kit (1 top, 1 front, 2 sides)
v-w-acryl-top	Semi-Translucid White Acrylic, Top Panel only
v-w-acryl-front	Semi-Translucid White Acrylic, Front Panel only
v-w-acryl-sides	Semi-Translucid White Acrylic, Side Panels only (2 side panels)



Code	Description
v-mirror-kit	Mirror Acrylic, Complete Kit (1 top, 1 front, 2 sides)
v-mirror-top	Mirror Acrylic, Top Panel only
v-mirror-front	Mirror Acrylic, Front Panel only
v-mirror-sides	Mirror Acrylic, Side Panels only (2 side panels)



Code	Description
v-frosted-kit	Frosted Translucid Acrylic, Complete Kit (1 top, 1 front, 2 sides)
v-frosted-top	Frosted Translucid Acrylic, Top Panel only
v-frosted-front	Frosted Translucid Acrylic, Front Panel only
v-frosted-sides	Frosted Translucid Acrylic, Side Panels only (2 side panels)

Note: other acrylic colors available upon request.

Panels - Laminated Wood

Please specify Varnished or Natural finish

Code	Description
v-bw-wood-kit	Black Walnut, Complete Kit (1 top + top protector, 1 front, 2 sides)
v-bw-wood-top	Black Walnut, Top Panel + scratch resistant protector
v-bw-wood-front	Black Walnut, Front Panel only
v-bw-wood-sides	Black Walnut, Side Panels only (2 side panels)



Code	Description
v-wm-wood-kit	White Maple, Complete Kit (1 top + top protector, 1 front, 2 sides)
v-wm-wood-top	White Maple, Top Panel + scratch resistant protector
v-wm-wood-front	White Maple, Front Panel only
v-wm-wood-sides	White Maple, Side Panels only (2 side panels)



Code	Description
v-cherry-wood-kit	Cherry, Complete Kit (1 top + top protector, 1 front, 2 sides)
v-v-cherry-wood-top	Cherry, Top Panel + scratch resistant protector
v-cherry-wood-front	Cherry, Front Panel only
v-cherry-wood-sides	Cherry, Side Panels only (2 side panels)



Code	Description
v-khaya-wood-kit	Mahogany Khaya, Complete Kit (1 top + top protector, 1 front, 2 sides)
v-khaya-wood-top	Mahogany Khaya, Top Panel + scratch resistant protector
v-khaya-wood-front	Mahogany Khaya, Front Panel only
v-khaya-wood-sides	Mahogany Khaya, Side Panels only (2 side panels)



Panels - Laminated Wood (continued)

Please specify Varnished or Natural finish

Code	Description
v-ro-wood-kit	Red Oak, Complete Kit (1 top + top protector, 1 front, 2 sides)
v-ro-wood-top	Red Oak, Top Panel + scratch resistant protector
v-ro-wood-front	Red Oak, Front Panel only
v-ro-wood-sides	Red Oak, Side Panels only (2 side panels)



Code	Description
v-wa-wood-kit	White Ash, Complete Kit (1 top + top protector, 1 front, 2 sides)
v-wa-wood-top	White Ash, Top Panel + scratch resistant protector
v-wa-wood-front	White Ash, Front Panel only
v-wa-wood-sides	White Ash, Side Panels only (2 side panels)



Code	Description
v-sapele-wood-kit	Sapele, Complete Kit (1 top + top protector, 1 front, 2 sides)
v-sapele-wood-top	Sapele, Top Panel + scratch resistant protector
v-sapele-wood-front	Sapele, Front Panel only
v-sapele-wood-sides	Sapele, Side Panels only (2 side panels)



Code	Description
v-teak-wood-kit	Burmese Teak, Complete Kit (1 top + top protector, 1 front, 2 sides)
v-teak-wood-top	Burmese Teak, Top Panel + scratch resistant protector
v-teak-wood-front	Burmese Teak, Front Panel only
v-teak-wood-sides	Burmese Teak, Side Panels only (2 side panels)



Code	Description
v-wb-wood-kit	White Birch, Complete Kit (1 top + top protector, 1 front, 2 sides)
v-wb-wood-top	White Birch, Top Panel + scratch resistant protector
v-wb-wood-front	White Birch, Front Panel only
v-wb-wood-sides	White Birch, Side Panels only (2 side panels)

Panels - Wood Immitation Laminates

Economical, durable and realistic

Code	Description
v-ba-wl-kit	Bavarian Ash, Complete Kit (1 top, 1 front, 2 sides)
v-ba-wl-top	Bavarian Ash, Top Panel
v-ba-wl-front	Bavarian Ash, Front Panel only
v-ba-wl-sides	Bavarian Ash, Side Panels only (2 side panels)



Code	Description
v-nle-wl-kit	Narrow Leave Elm, Complete Kit (1 top, 1 front, 2 sides)
v-nle-wl-top	Narrow Leave Elm, Top Panel
v-nle-wl-front	Narrow Leave Elm, Front Panel only
v-nle-wl-sides	Narrow Leave Elm, Side Panels only (2 side panels)



Code	Description
v-no-wl-kit	Natural Olive, Complete Kit (1 top, 1 front, 2 sides)
v-no-wl-top	Natural Olive, Top Panel
v-no-wl-front	Natural Olive, Front Panel only
v-no-wl-sides	Natural Olive, Side Panels only (2 side panels)



Code	Description
v-sp-wl-kit	Stobus Pine, Complete Kit (1 top, 1 front, 2 sides)
v-sp-wl-top	Stobus Pine, Top Panel
v-sp-wl-front	Stobus Pine, Front Panel only
v-sp-wl-sides	Stobus Pine, Side Panels only (2 side panels)



Panels - Wood Immitation Laminates (continued)

Economical, durable and realistic

Code	Description
v-wk-wl-kit	Wych Koawood, Complete Kit (1 top, 1 front, 2 sides)
v-wk-wl-top	Wych Koawood, Top Panel
v-wk-wl-front	Wych Koawood, Front Panel only
v-wk-wl-sides	Wych Koawood, Side Panels only (2 side panels)



Code	Description
v-aw-wl-kit	Ahigal Walnut, Complete Kit (1 top, 1 front, 2 sides)
v-aw-wl-top	Ahigal Walnut, Top Panel
v-aw-wl-front	Ahigal Walnut, Front Panel only
v-aw-wl-sides	Ahigal Walnut, Side Panels only (2 side panels)



Code	Description
v-amazonia-wl-kit	Amazonia, Complete Kit (1 top, 1 front, 2 sides)
v-amazonia-wl-top	Amazonia, Top Panel
v-amazonia-wl-front	Amazonia, Front Panel only
v-amazonia-wl-sides	Amazonia, Side Panels only (2 side panels)



Code	Description
v-ad-wl-kit	Applewood Dark, Complete Kit (1 top, 1 front, 2 sides)
v-ad-wl-top	Applewood Dark, Top Panel
v-ad-wl-front	Applewood Dark, Front Panel only
v-ad-wl-sides	Applewood Dark, Side Panels only (2 side panels)



Code	Description
v-ce-wl-kit	Celtic Ebony, Complete Kit (1 top, 1 front, 2 sides)
v-ce-wl-top	Celtic Ebony, Top Panel
v-ce-wl-front	Celtic Ebony, Front Panel only
v-ce-wl-sides	Celtic Ebony, Side Panels only (2 side panels)



Panels - Wood Immitation Laminates (continued)

Economical, durable and realistic

Code	Description
v-cp-wl-kit	Champagne Pearlwood, Complete Kit (1 top, 1 front, 2 sides)
v-cp-wl-top	Champagne Pearlwood, Top Panel
v-cp-wl-front	Champagne Pearlwood, Front Panel only
v-cp-wl-sides	Champagne Pearlwood, Side Panels only (2 side panels)



Code	Description
v-congo-wl-kit	Congo, Complete Kit (1 top, 1 front, 2 sides)
v-congo-wl-top	Congo, Top Panel
v-congo-wl-front	Congo, Front Panel only
v-congo-wl-sides	Congo, Side Panels only (2 side panels)



Code	Description
v-cc-wl-kit	Cream Cherry, Complete Kit (1 top, 1 front, 2 sides)
v-cc-wl-top	Cream Cherry, Top Panel
v-cc-wl-front	Cream Cherry, Front Panel only
v-cc-wl-sides	Cream Cherry, Side Panels only (2 side panels)



Code	Description
v-dro-wl-kit	Della Rovere Oak, Complete Kit (1 top, 1 front, 2 sides)
v-dro-wl-top	Della Rovere Oak, Top Panel
v-dro-wl-front	Della Rovere Oak, Front Panel only
v-dro-wl-sides	Della Rovere Oak, Side Panels only (2 side panels)



Code	Description
v-fe-wl-kit	Faux Ebony, Complete Kit (1 top, 1 front, 2 sides)
v-fe-wl-top	Faux Ebony, Top Panel
v-fe-wl-front	Faux Ebony, Front Panel only
v-fe-wl-sides	Faux Ebony, Side Panels only (2 side panels)



Panels - Wood Immitation Laminates (continued)

Economical, durable and realistic

Code	Description
v-iw-wl-kit	Irish Walnut, Complete Kit (1 top, 1 front, 2 sides)
v-iw-wl-top	Irish Walnut, Top Panel
v-iw-wl-front	Irish Walnut, Front Panel only
v-iw-wl-sides	Irish Walnut, Side Panels only (2 side panels)



Code	Description
v-pw-wl-kit	Pepper Wenge, Complete Kit (1 top, 1 front, 2 sides)
v-pw-wl-top	Pepper Wenge, Top Panel
v-pw-wl-front	Pepper Wenge, Front Panel only
v-pw-wl-sides	Pepper Wenge, Side Panels only (2 side panels)



Code	Description
v-pnw-wl-kit	Pide Nefis Walnut, Complete Kit (1 top, 1 front, 2 sides)
v-pnw-wl-top	Pide Nefis Walnut, Top Panel
v-pnw-wl-front	Pide Nefis Walnut, Front Panel only
v-pnw-wl-sides	Pide Nefis Walnut, Side Panels only (2 side panels)



Code	Description
v-po-wl-kit	Pure Oak, Complete Kit (1 top, 1 front, 2 sides)
v-po-wl-top	Pure Oak, Top Panel
v-po-wl-front	Pure Oak, Front Panel only
v-po-wl-sides	Pure Oak, Side Panels only (2 side panels)



Code	Description
v-so-wl-kit	Siberian Oak, Complete Kit (1 top, 1 front, 2 sides)
v-so-wl-top	Siberian Oak, Top Panel
v-so-wl-front	Siberian Oak, Front Panel only
v-so-wl-sides	Siberian Oak, Side Panels only (2 side panels)



Panels - Wood Immitation Laminates (continued)

Economical, durable and realistic

Code	Description
v-tt-wl-kit	Taupe Tropical, Complete Kit (1 top, 1 front, 2 sides)
v-tt-wl-top	Taupe Tropical, Top Panel
v-tt-wl-front	Taupe Tropical, Front Panel only
v-tt-wl-sides	Taupe Tropical, Side Panels only (2 side panels)



Code	Description
v-wm-wl-kit	Wenge Maple, Complete Kit (1 top, 1 front, 2 sides)
v-wm-wl-top	Wenge Maple, Top Panel
v-wm-wl-front	Wenge Maple, Front Panel only
v-wm-wl-sides	Wenge Maple, Side Panels only (2 side panels)



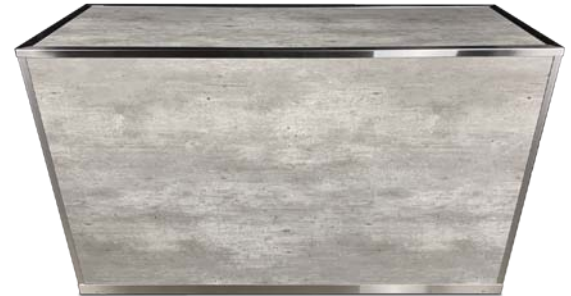
Code	Description
v-wmargins-wl-kit	White Margins, Complete Kit (1 top, 1 front, 2 sides)
v-wmargins-wl-top	White Margins, Top Panel
v-wmargins-wl-front	White Margins, Front Panel only
v-wmargins-wl-sides	White Margins, Side Panels only (2 side panels)



Panels - Specialty Laminates

Economical, durable and realistic

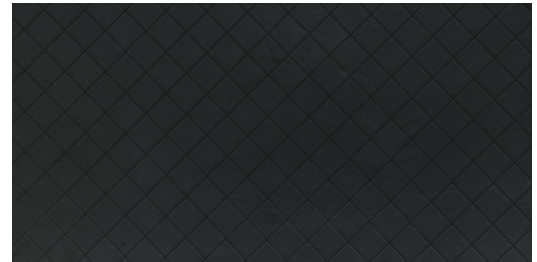
Code	Description
v-cement-kit	Cement, Complete Kit (1 top, 1 front, 2 sides)
v-cement-top	Cement, Top Panel
v-cement-front	Cement, Front Panel only
v-cement-sides	Cement, Side Panels only (2 side panels)



Code	Description
v-gf-lam-kit	Grey Fabric, Complete Kit (1 top, 1 front, 2 sides)
v-gf-lam-top	Grey Fabric, Top Panel
v-gf-lam-front	Grey Fabric, Front Panel only
v-gf-lam-sides	Grey Fabric, Side Panels only (2 side panels)



Code	Description
v-ldpc-lam-kit	Leather Diamond Padded Cushion, Complete Kit (1 top, 1 front, 2 sides)
v-ldpc-wl-top	Leather Diamond Padded Cushion, Top Panel
v-ldpc-wl-front	Leather Diamond Padded Cushion, Front Panel only
v-ldpc-wl-sides	Leather Diamond Padded Cushion, 2 Side Panels



Code	Description
v-md-lam-kit	Misty Dreams, Complete Kit (1 top, 1 front, 2 sides)
v-md-lam-top	Misty Dreams, Top Panel
v-md-lam-front	Misty Dreams, Front Panel only
v-md-lam-sides	Misty Dreams, Side Panels only (2 side panels)



Code	Description
v-sm-lam-kit	Sierra Marble, Complete Kit (1 top, 1 front, 2 sides)
v-sm-lam-top	Sierra Marble, Top Panel
v-sm-lam-front	Sierra Marble, Front Panel only
v-sm-lam-sides	Sierra Marble, Side Panels only (2 side panels)



Panels - Aluminum With Special Finish

Spectacular and rust resistant

Code	Description
v-ss-alu-kit	Brushed Stainless Steel Immitation, Complete Kit (1 top + top protector, 1 front, 2 sides)
v-ss-alu-top	Brushed Stainless Steel Immitation, Top Panel + scratch resistant protector
v-ss-alu-front	Brushed Stainless Steel Immitation, Front Panel only
v-ss-alu-sides	Brushed Stainless Steel Immitation, 2 Side Panels



Code	Description
v-mg-alu-kit	Mirror Gold, Complete Kit (1 top + top protector, 1 front, 2 sides)
v-mg-alu-top	Mirror Gold, Top Panel + scratch resistant protector
v-mg-alu-front	Mirror Gold, Front Panel only
v-mg-alu-sides	Mirror Gold, 2 Side Panels



Code	Description
v-cg-alu-kit	Champagne Gold, Complete Kit (1 top + top protector, 1 front, 2 sides)
v-cg-alu-top	Champagne Gold, Top Panel + scratch resistant protector
v-cg-alu-front	Champagne Gold, Front Panel only
v-cg-alu-sides	Champagne Gold, 2 Side Panels



Panels - Aluminum With Special Finish (continued)

Code	Description
v-rg-alu-kit	Rose Gold, Complete Kit (1 top + top protector, 1 front, 2 sides)
v-rg-alu-top	Rose Gold, Top Panel + scratch resistant protector
v-rg-alu-front	Rose Gold, Front Panel only
v-rg-alu-sides	Rose Gold, 2 Side Panels



Code	Description
v-bb-alu-kit	Brushed Bronze, Complete Kit (1 top + top protector, 1 front, 2 sides)
v-bb-alu-top	Brushed Bronze, Top Panel + scratch resistant protector
v-bb-alu-front	Brushed Bronze, Front Panel only
v-bb-alu-sides	Brushed Bronze, 2 Side Panels



Code	Description
v-bc-alu-kit	Brushed Copper, Complete Kit (1 top + top protector, 1 front, 2 sides)
v-bc-alu-top	Brushed Copper, Top Panel + scratch resistant protector
v-bc-alu-front	Brushed Copper, Front Panel only
v-bc-alu-sides	Brushed Copper, 2 Side Panels



Code	Description
v-bg-alu-kit	Brushed Gold, Complete Kit (1 top + top protector, 1 front, 2 sides)
v-bg-alu-top	Brushed Gold, Top Panel + scratch resistant protector
v-bg-alu-front	Brushed Gold, Front Panel only
v-bg-alu-sides	Brushed Gold, 2 Side Panels



Code	Description
v-cm-alu-kit	Copper Mirror, Complete Kit (1 top + top protector, 1 front, 2 sides)
v-cm-alu-top	Copper Mirror, Top Panel + scratch resistant protector
v-cm-alu-front	Copper Mirror, Front Panel only
v-cm-alu-sides	Copper Mirror, 2 Side Panels



Panels - Aluminum With Special Finish (continued)

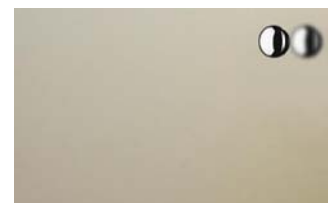
Code	Description
v-ob-alu-kit	Oiled Brass, Complete Kit (1 top + top protector, 1 front, 2 sides)
v-ob-alu-top	Oiled Brass, Top Panel + scratch resistant protector
v-ob-alu-front	Oiled Brass, Front Panel only
v-ob-alu-sides	Oiled Brass, 2 Side Panels



Code	Description
v-satin-alu-kit	Satin Aluminum, Complete Kit (1 top + top protector, 1 front, 2 sides)
v-satin-alu-top	Satin Aluminum, Top Panel + scratch resistant protector
v-satin-alu-front	Satin Aluminum, Front Panel only
v-satin-alu-sides	Satin Aluminum, 2 Side Panels



Code	Description
v-sg-alu-kit	Satin Gold, Complete Kit (1 top + top protector, 1 front, 2 sides)
v-sg-alu-top	Satin Gold, Top Panel + scratch resistant protector
v-sg-alu-front	Satin Gold, Front Panel only
v-sg-alu-sides	Satin Gold, 2 Side Panels



Code	Description
v-sgun-alu-kit	Satin Gunmetal, Complete Kit (1 top + top protector, 1 front, 2 sides)
v-sgun-alu-top	Satin Gunmetal, Top Panel + scratch resistant protector
v-sgun-alu-front	Satin Gunmetal, Front Panel only
v-sgun-alu-sides	Satin Gunmetal, 2 Side Panels



Technical Specifications

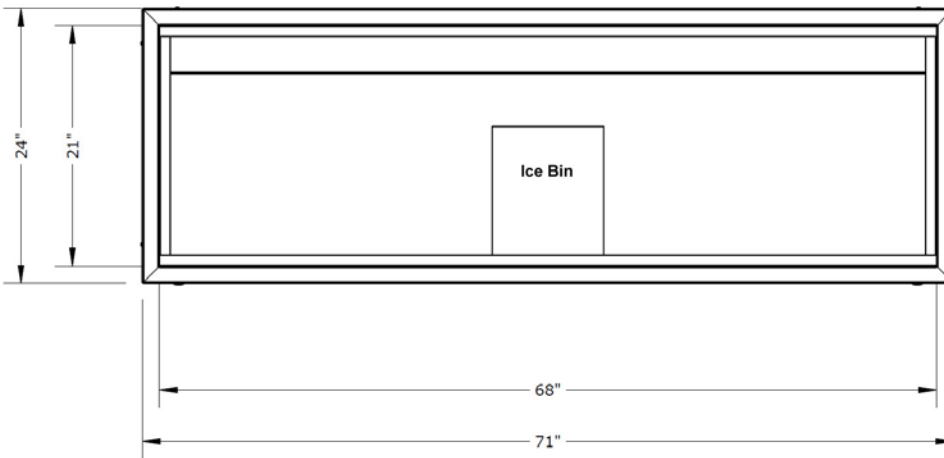
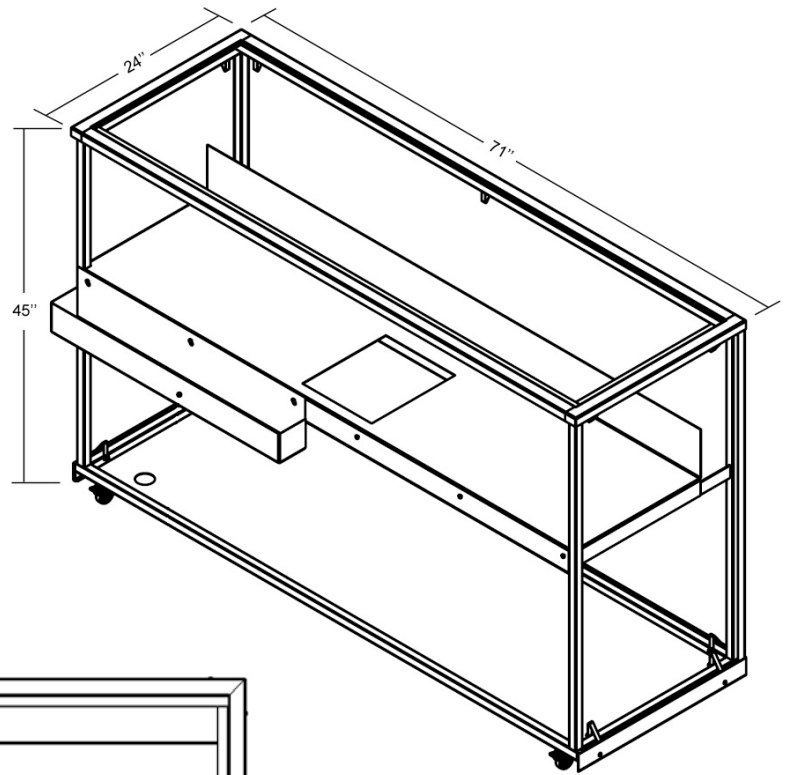
Code	Description
VERSATI	Base. Includes the frame, top and bottom shelves, and integrated double-layered waterfree ice bin.
VERSATI-LUMI	Includes the frame, top and bottom shelves, integrated double-layered waterfree ice bin, LUMI remote and sound-controlled lighting kit, two small speed rails and white semi-translucid acrylic panels.

Dimensions and Weight

Total Weight (no panels): 116 lbs (53 kg)

Shipping

Pallets only, wrapped with protective materials.



Architect Specs

The mobile bar shall be a VERSATI, manufactured in Montreal, Qc, Canada by BEST Portable Bars, a division of Avec Flair Bar Solutions Inc. Its frame, speed rail and wheels shall be made of stainless steel. The workspace top and bottom shelves shall be constructed of food grade #304 stainless steel. The top, front and side panels shall be removable and easily interchanged, and available in a wide variety of materials and finishes. The wheels shall be lockable for when the bar is in use. Shall come with an integrated double-layered water-free ice bin and optional lighting system.